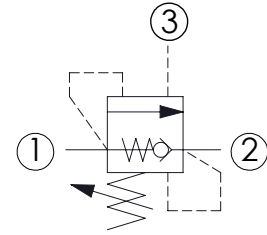
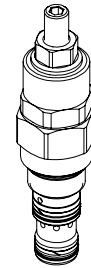
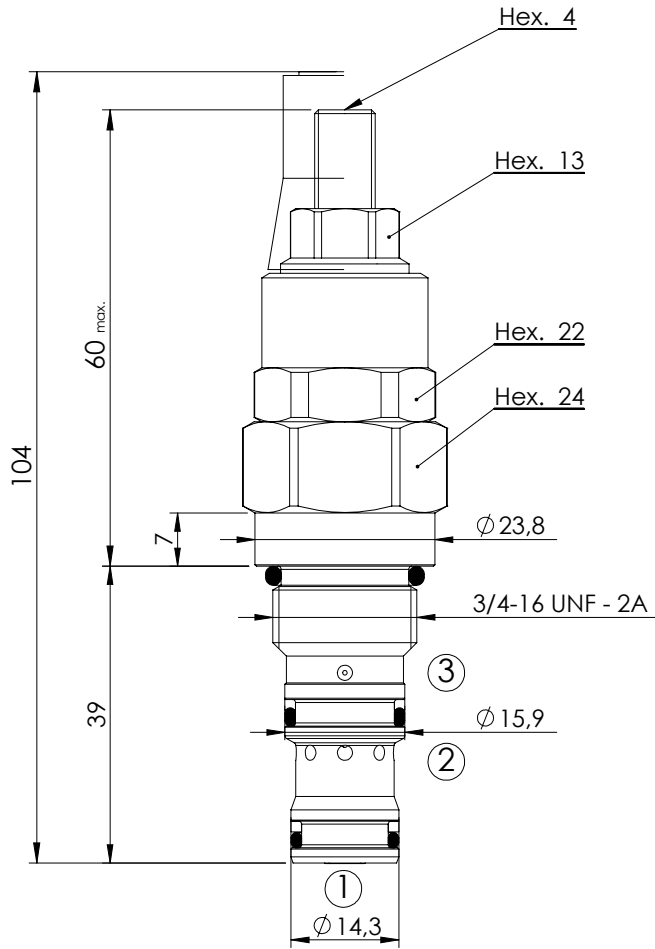


OVERCENTRE VALVE

CBSN-030-PARH

POPPET TYPE

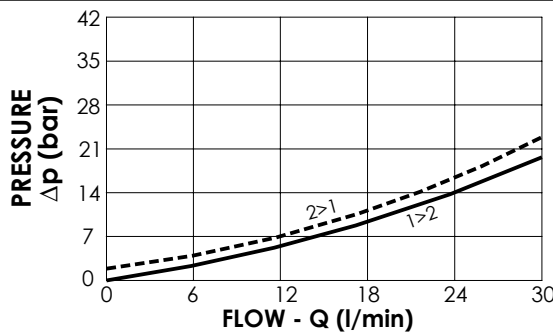
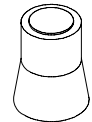


SPECIFICATIONS

Max. operating pressure:	350 bar
Rated flow:	30 l/min
Cavity:	SAE-08-3C
Weight:	0,18 kg

SEALING CAP

Ordering code:
AT000020



NOTES

Setting:	at least 1.3 times the load induced pressure
Installation torque:	45 - 50 Nm
Seal kit:	RA700086

ORDERING CODES

Quick code	Description	Pilot ratio	Standard setting (bar, Q=5 l/min)	Adjust. range (bar)	Pressure increase (bar/turn)
CB000007	CBSN-030-PARH-04-S08-N350	4:1	350	170 - 350	134
CB000023	CBSN-030-PARH-04-S08-N200	4:1	200	70-210	110